



WALL A

WALL B

ISLAND

Note: This drawing is an artistic interpretation of the general appearance of the design. It is not meant to be an exact rendition.

ELEVATIONS

Designed :4/29/2022
Printed: 5/23/2022

CABINETS & DESIGN BY 

WALL A

WALL B



Note: This drawing is an artistic interpretation of the general appearance of the design. It is not meant to be an exact rendition.

ELEVATIONS

Designed :4/29/2022
Printed: 5/23/2022

CABINETRY & DESIGN BY **GBS**

WALL B



ISLAND



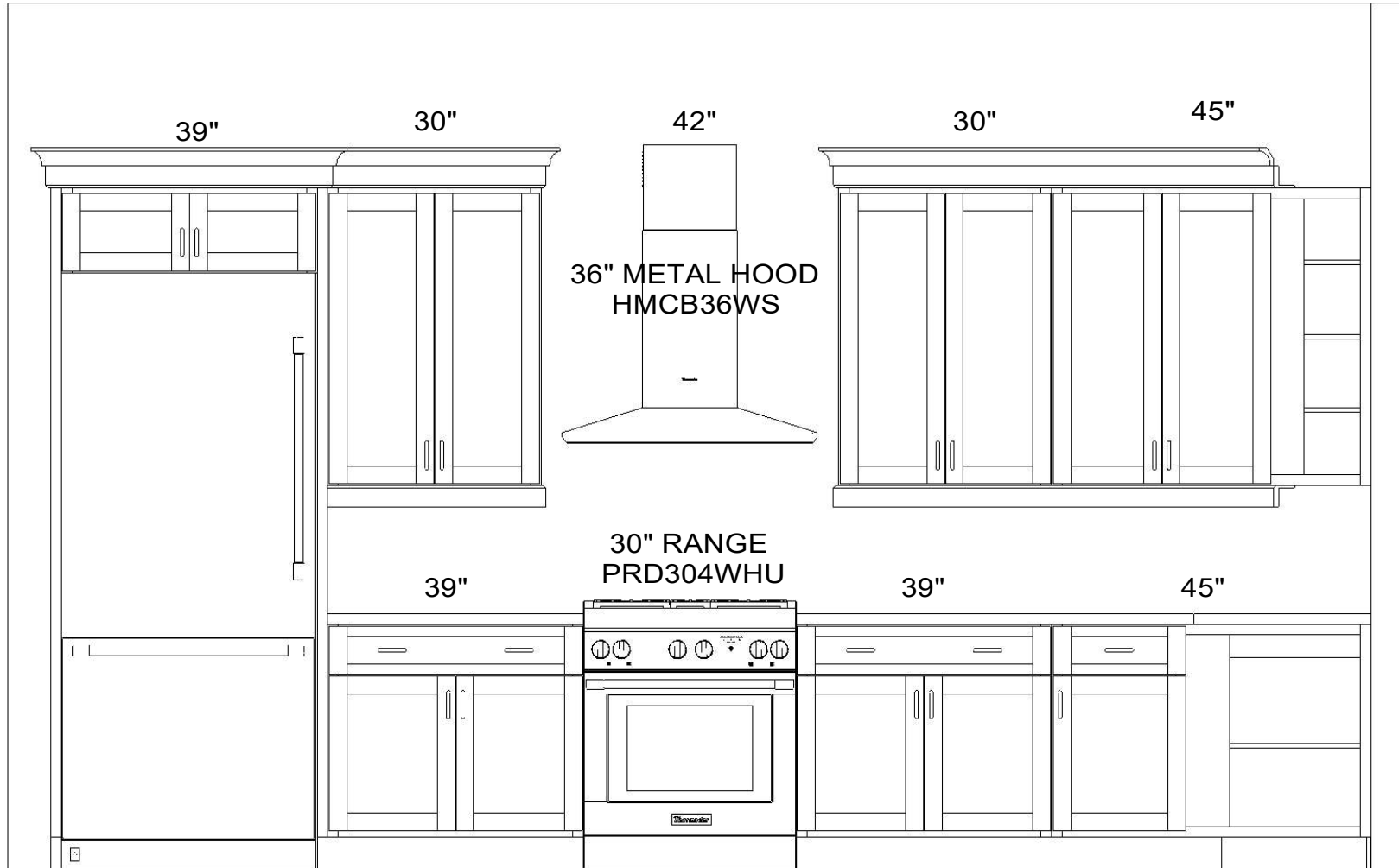
Note: This drawing is an artistic interpretation of the general appearance of the design. It is not meant to be an exact rendition.

ELEVATIONS

Designed :4/29/2022
Printed: 5/23/2022

CABINETS & DESIGN BY 

WALL A



36" FRIDGE
T36BB920SS

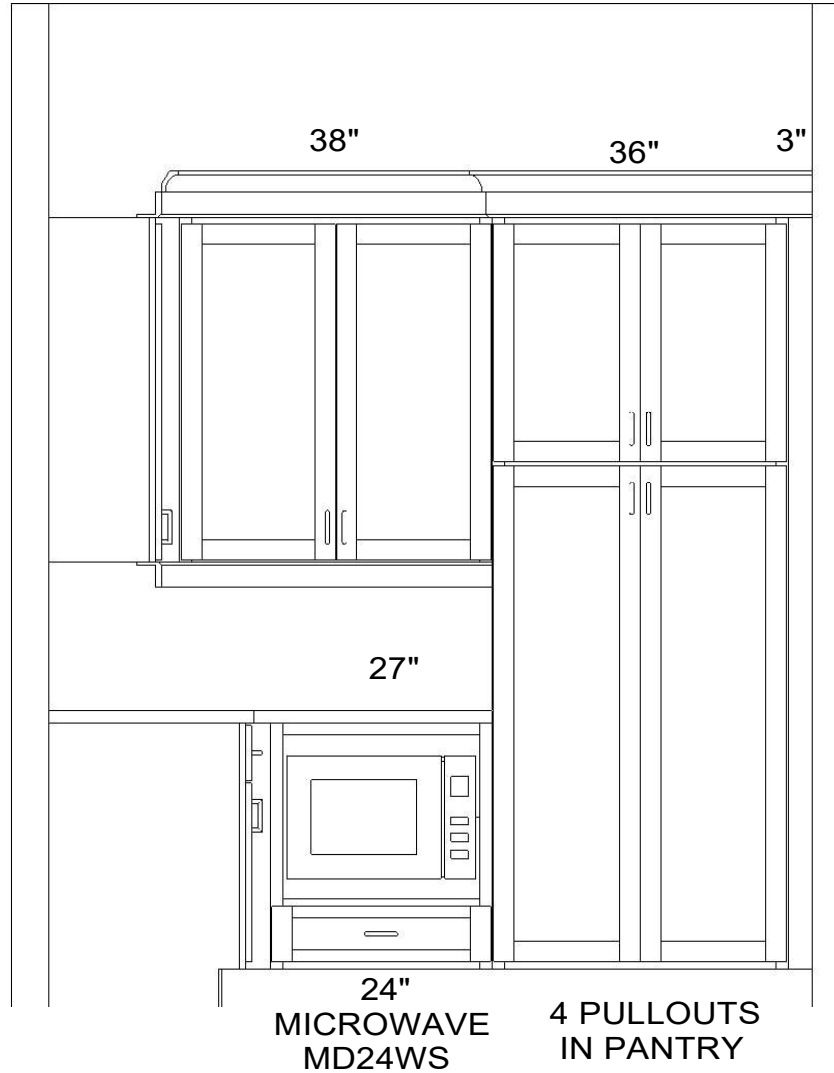
Note: This drawing is an artistic interpretation of the general appearance of the design. It is not meant to be an exact rendition.

ELEVATIONS

Designed :4/29/2022
Printed: 5/23/2022

CABINETS & DESIGN BY **GBS**

WALL B



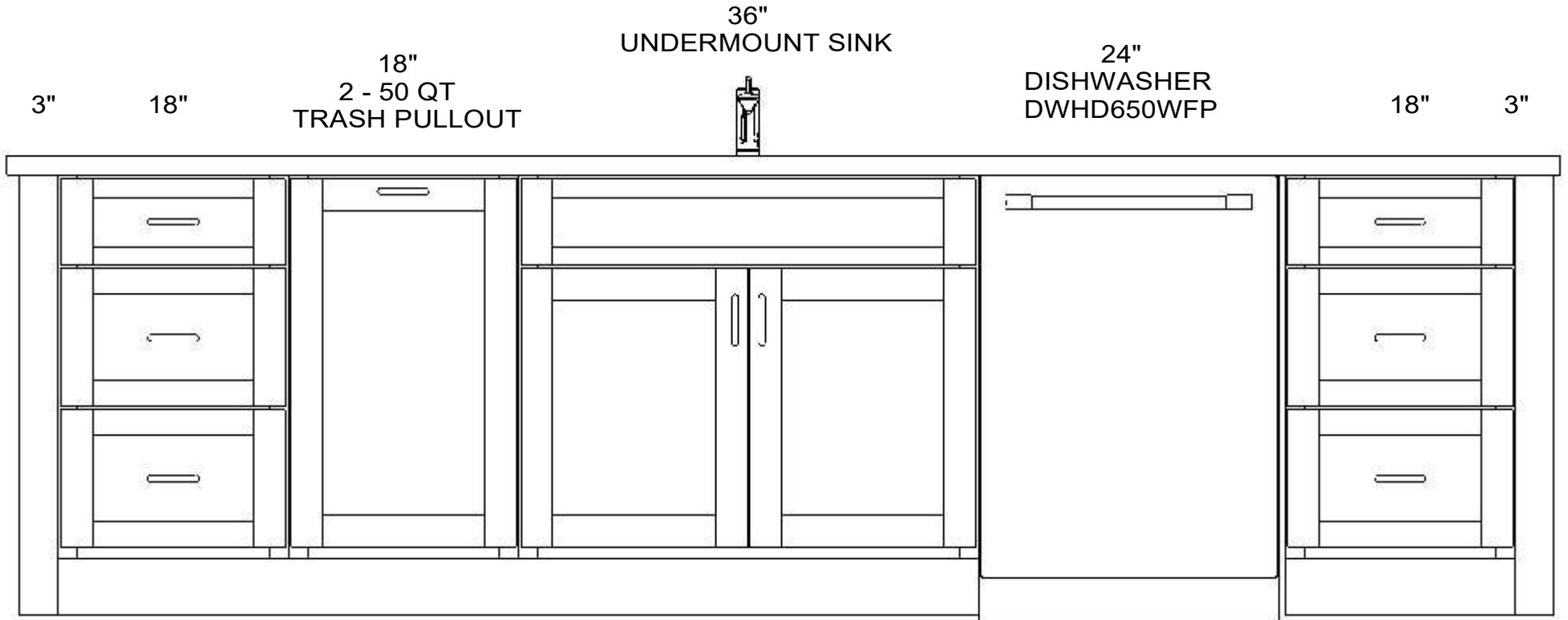
Note: This drawing is an artistic interpretation of the general appearance of the design. It is not meant to be an exact rendition.

ELEVATIONS

Designed :4/29/2022
Printed: 5/23/2022

CABINETRY & DESIGN BY **GBS**

ISLAND

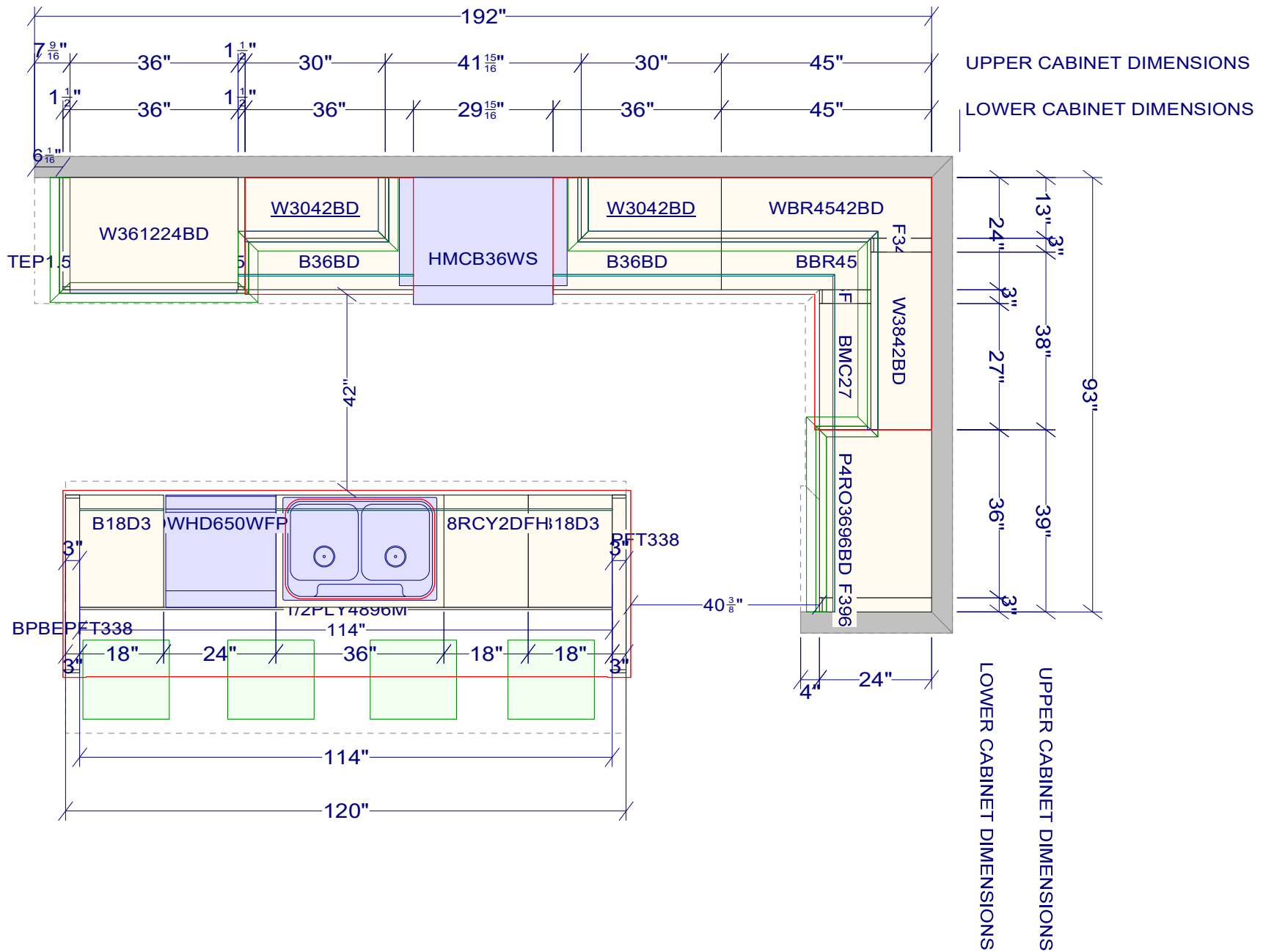


Note: This drawing is an artistic interpretation of the general appearance of the design. It is not meant to be an exact rendition.

ELEVATIONS

Designed :4/29/2022
Printed: 5/23/2022

CABINETS & DESIGN BY **GBS**



Note: This drawing is an artistic interpretation of the general appearance of the design. It is not meant to be an exact rendition.

ELEVATIONS

Designed :4/29/2022
Printed: 5/23/2022

CABINETRY & DESIGN BY **GBS**

MASTER BATH



Note: This drawing is an artistic interpretation of the general appearance of the design. It is not meant to be an exact rendition.

ELEVATIONS Designed : 1/7/2021
Printed: 5/23/2022

CABINETRY & DESIGN BY **GBS**

GUEST BATH



Note: This drawing is an artistic interpretation of the general appearance of the design. It is not meant to be an exact rendition.

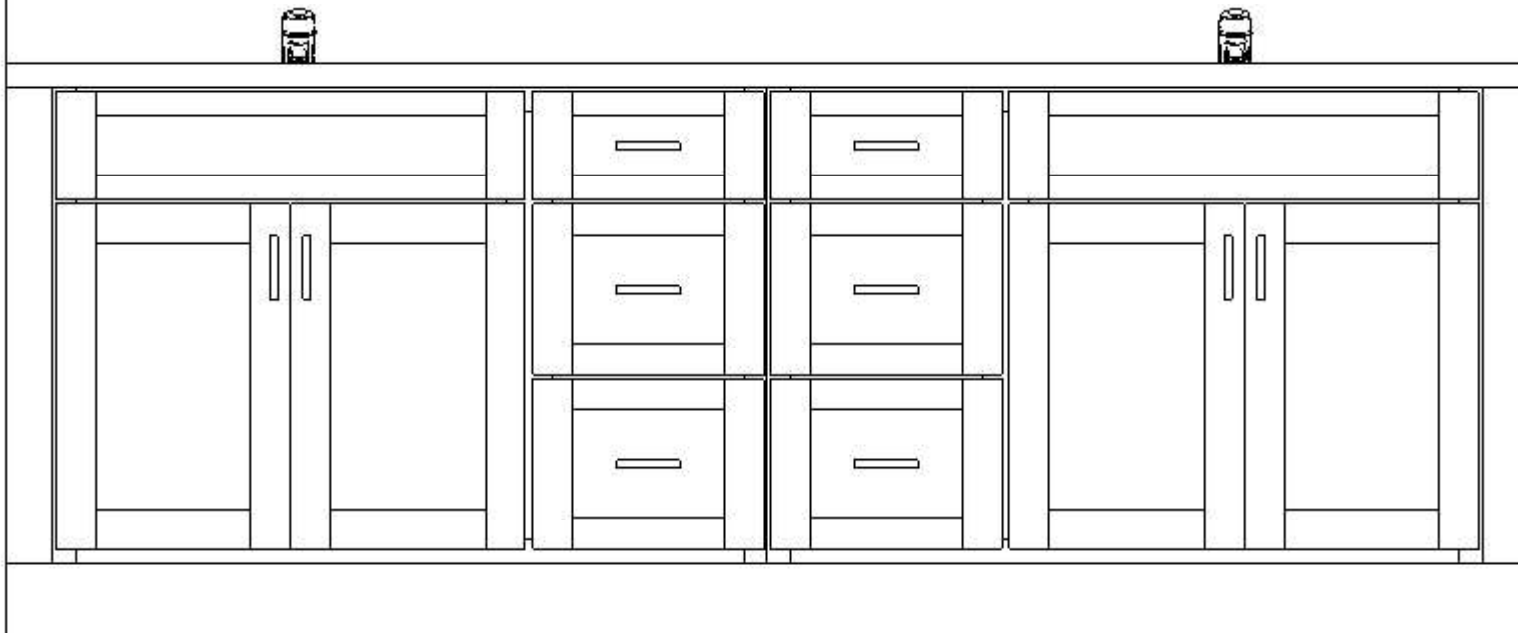
Unit H - Baths

ELEVATIONS
CABINETS & DESIGN BY **GBS**

Designed : 1/7/2021
Printed: 5/23/2022

Drawing 2 Drawing #: 1

MASTER BATH

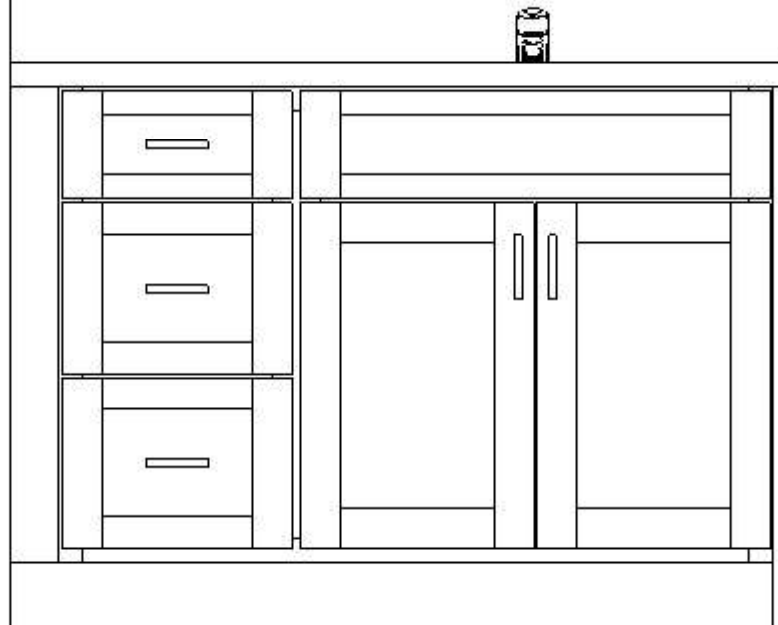


Note: This drawing is an artistic interpretation of the general appearance of the design. It is not meant to be an exact rendition.

ELEVATIONS
CABINETS & DESIGN BY **GBS**

Designed : 1/7/2021
Printed: 5/23/2022

GUEST BATH



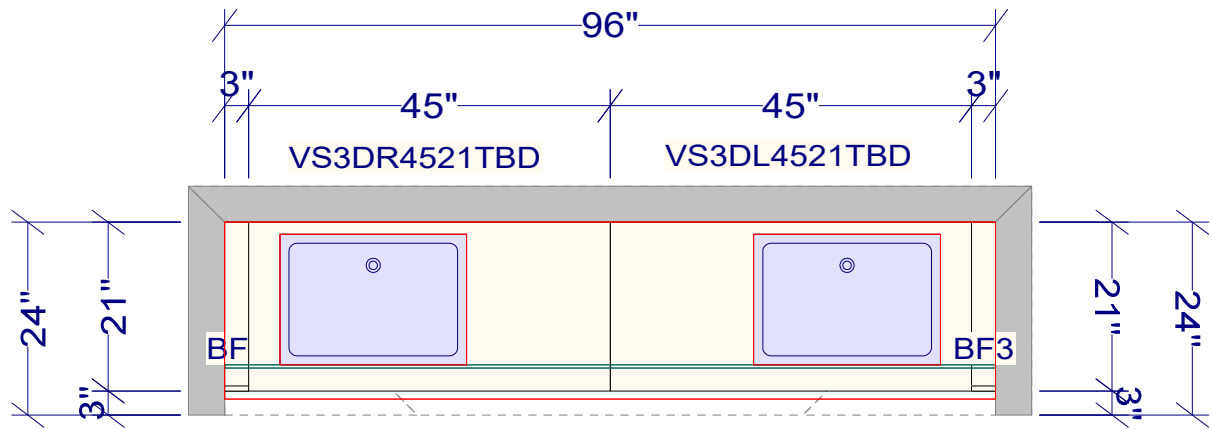
Note: This drawing is an artistic interpretation of the general appearance of the design. It is not meant to be an exact rendition.

ELEVATIONS

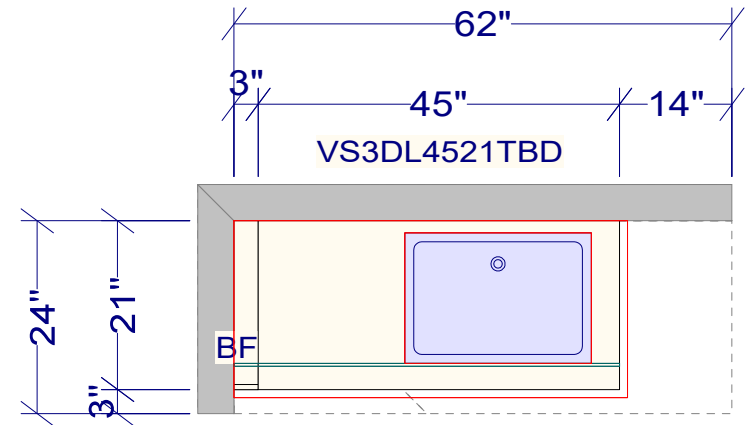
Designed : 1/7/2021
Printed: 5/23/2022

CABINETS & DESIGN BY **GBS**

MASTER BATH



GUEST BATH



Note: This drawing is an artistic interpretation of the general appearance of the design. It is not meant to be an exact rendition.

ELEVATIONS

Designed : 1/7/2021
Printed: 5/23/2022

CABINETRY & DESIGN BY **GBS**