

## WALL A



## ISLAND

Note: This drawing is an artistic interpretation of the general appearance of the design. It is not meant to be an exact rendition.

**ELEVATIONS**  
CABINETRY & DESIGN BY **GBS**

Designed : 1/7/2021  
Printed: 5/17/2022

WALL A



Note: This drawing is an artistic interpretation of the general appearance of the design. It is not meant to be an exact rendition.

**ELEVATIONS**  
CABINETRY & DESIGN BY **GBS**

Designed : 1/7/2021  
Printed: 5/17/2022



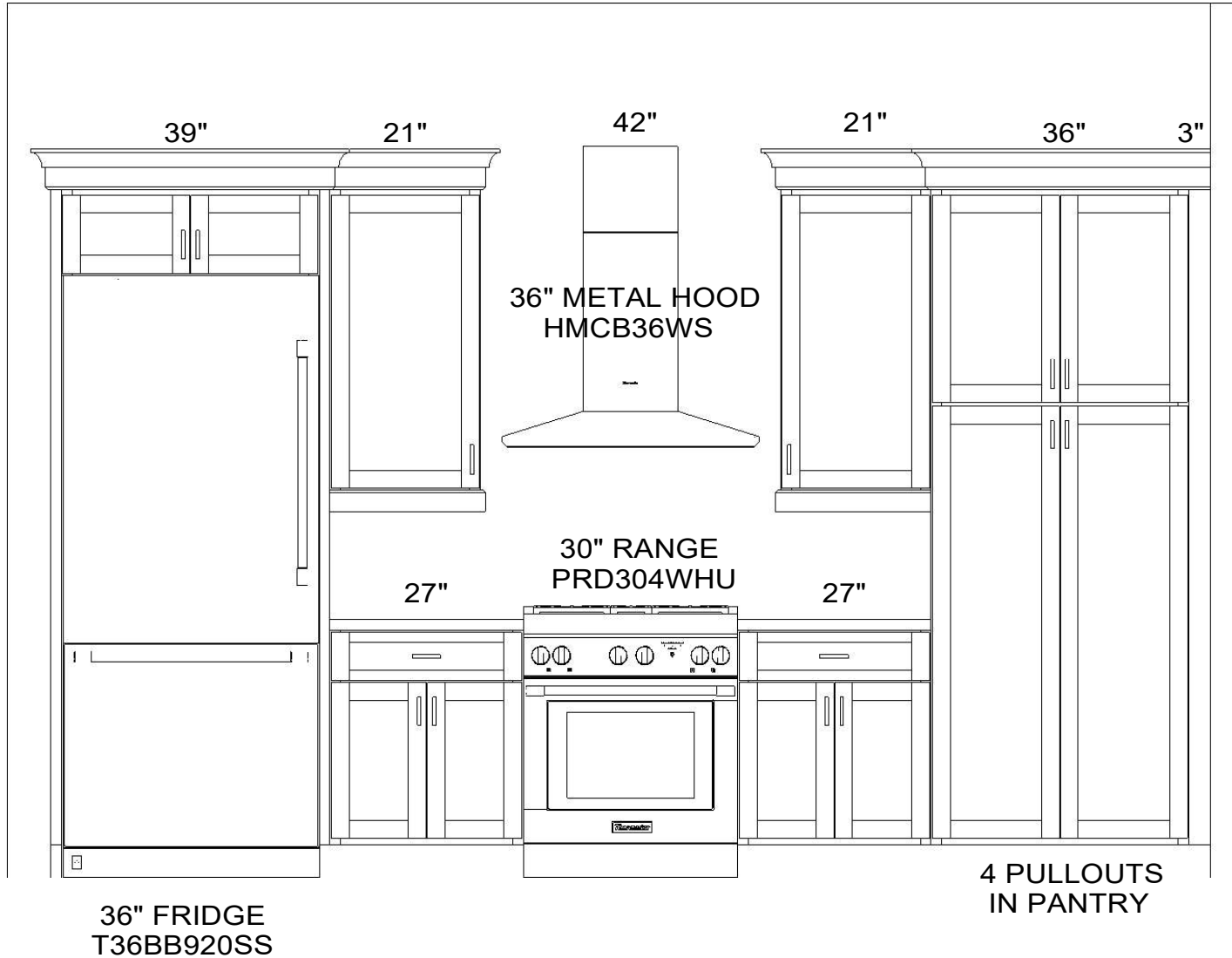
ISLAND

Note: This drawing is an artistic interpretation of the general appearance of the design. It is not meant to be an exact rendition.

**ELEVATIONS**  
CABINETRY & DESIGN BY **GBS**

Designed : 1/7/2021  
Printed: 5/17/2022

WALL A



Note: This drawing is an artistic interpretation of the general appearance of the design. It is not meant to be an exact rendition.



Designed : 1/7/2021  
Printed: 5/17/2022

ISLAND

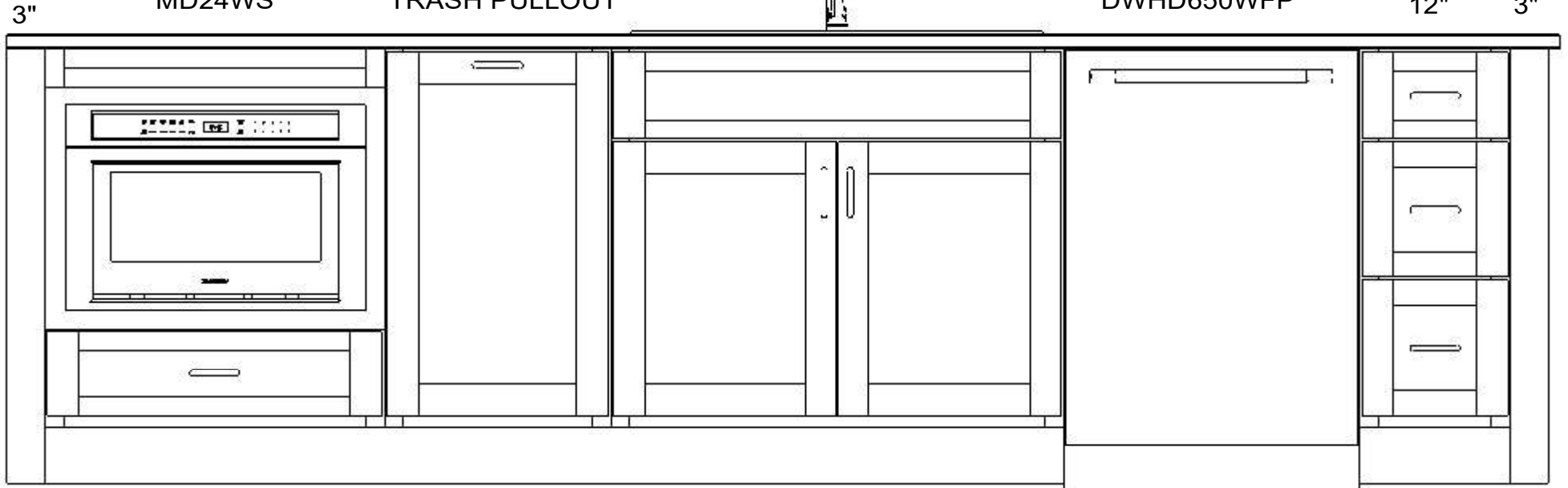
36"  
UNDERMOUNT SINK

27"  
24" MICROWAVE  
MD24WS

18"  
2 - 50 QT  
TRASH PULLOUT

24"  
DISHWASHER  
DWHD650WFP

12" 3"

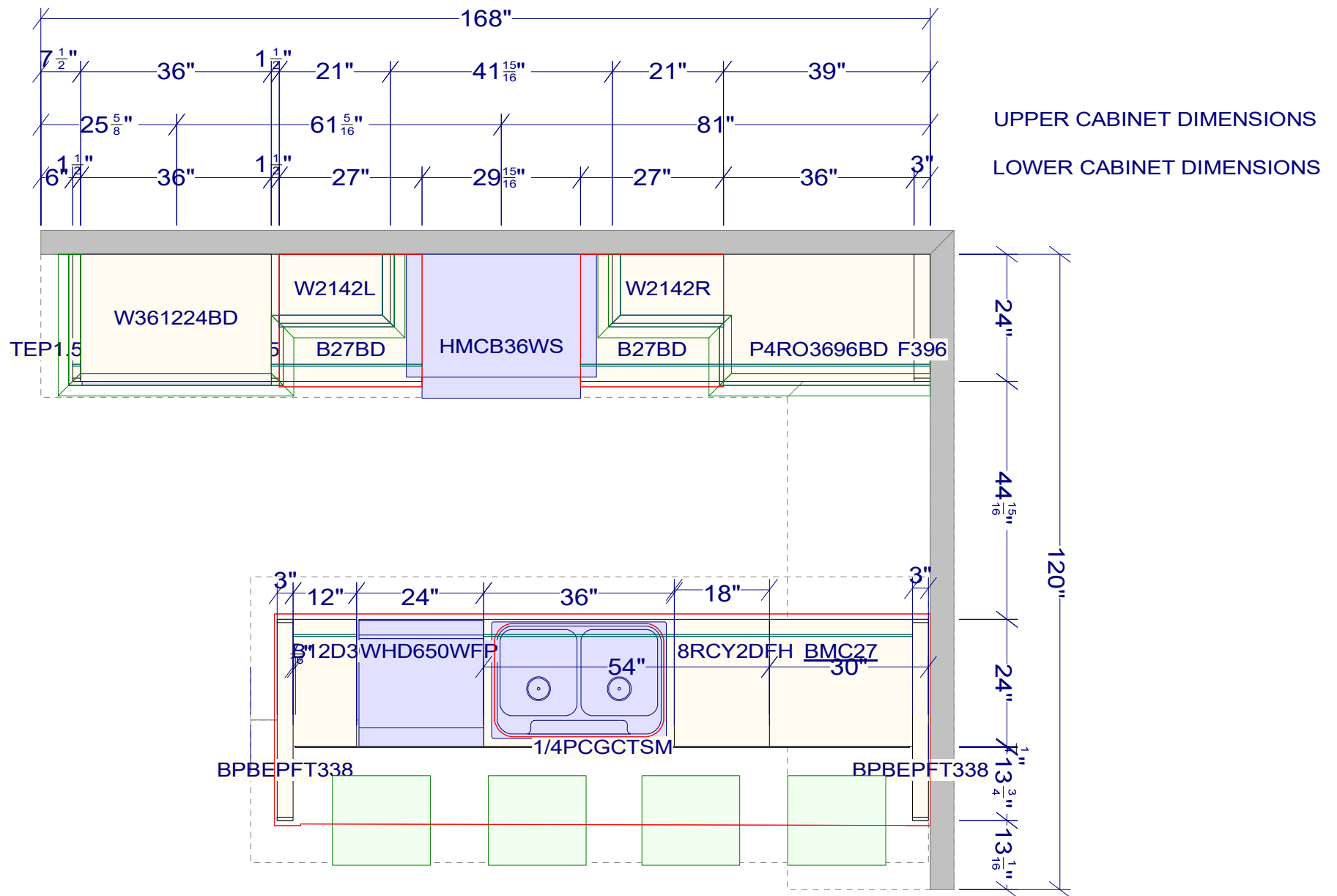


Note: This drawing is an artistic interpretation of the general appearance of the design. It is not meant to be an exact rendition.

**ELEVATIONS**

Designed : 1/7/2021  
Printed: 5/17/2022

CABINETS & DESIGN BY **GBS**



Note: This drawing is an artistic interpretation of the general appearance of the design. It is not meant to be an exact rendition.

## MASTER BATH



Note: This drawing is an artistic interpretation of the general appearance of the design. It is not meant to be an exact rendition.

**ELEVATIONS** Designed : 1/7/2021  
Printed: 5/18/2022

CABINETS & DESIGN BY **GBS**

## GUEST BATH



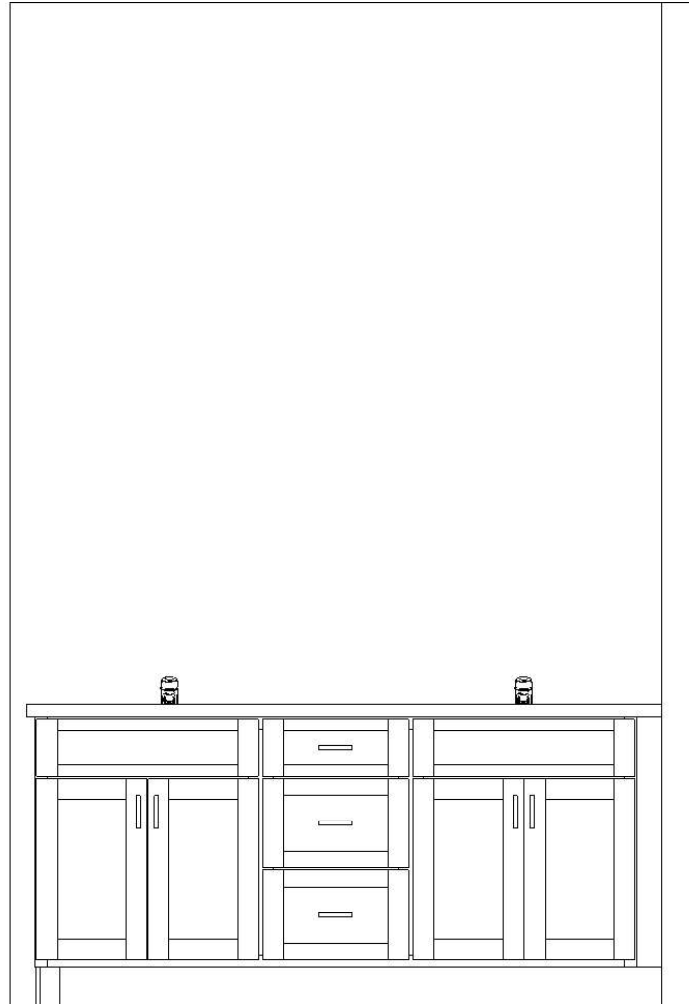
Note: This drawing is an artistic interpretation of the general appearance of the design. It is not meant to be an exact rendition.

**ELEVATIONS** Designed : 1/7/2021  
Printed: 5/18/2022

CABINETS & DESIGN BY **GBS**



# MASTER BATH

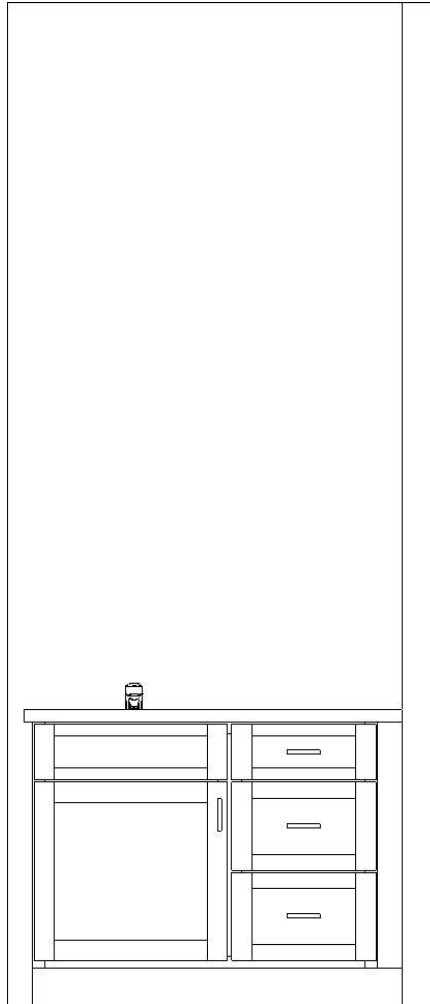


Note: This drawing is an artistic interpretation of the general appearance of the design. It is not meant to be an exact rendition.

**ELEVATIONS** Designed : 1/7/2021  
Printed: 5/18/2022

CABINETS & DESIGN BY **GBS**

# GUEST BATH

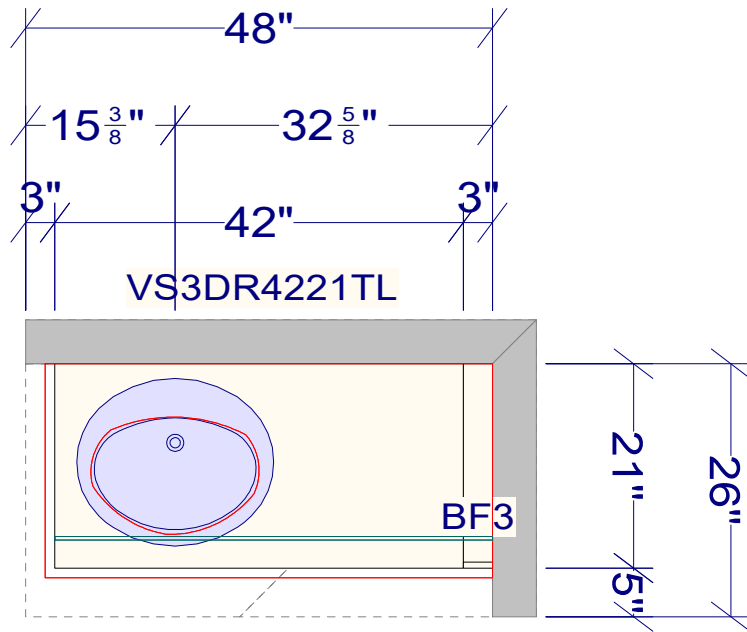


Note: This drawing is an artistic interpretation of the general appearance of the design. It is not meant to be an exact rendition.

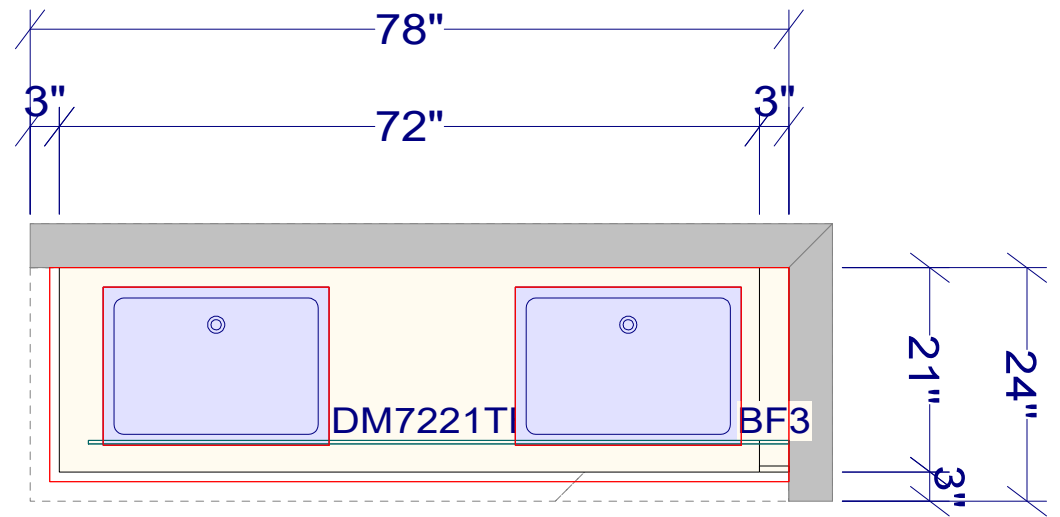
**ELEVATIONS** Designed : 1/7/2021  
Printed: 5/18/2022

CABINETS & DESIGN BY **GBS**

GUEST BATH



MASTER BATH



Note: This drawing is an artistic interpretation of the general appearance of the design. It is not meant to be an exact rendition.

**ELEVATIONS**  
CABINETS & DESIGN BY **GBS**

Designed : 1/7/2021  
Printed: 5/18/2022